

# SLIM EN14527

**PIATTO DOCCIA IN CORIAN A MISURA AL CM\_ FILOPAVIMENTO O APPOGGIO**  
bespoke showertray made in CORIAN\_ floorstanding or floor-flush

## DIMENSIONI / dimensions

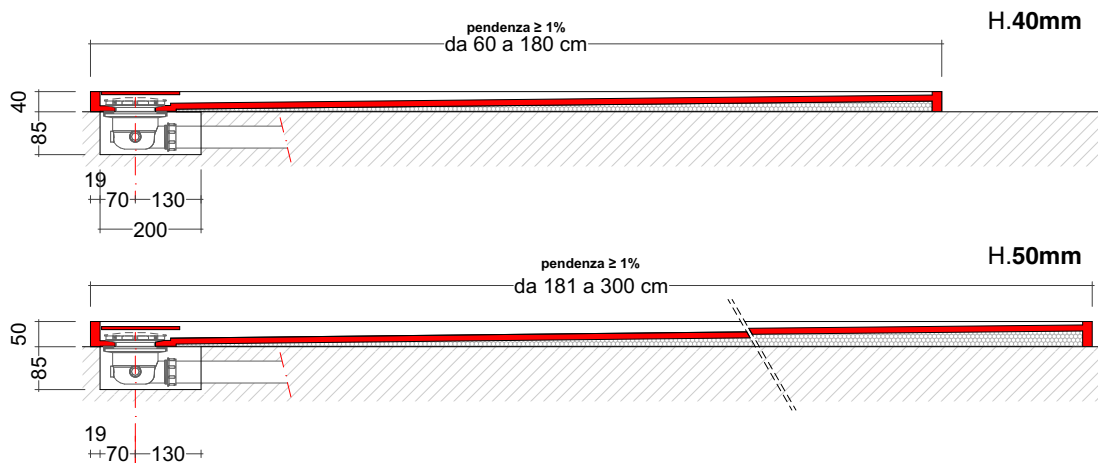
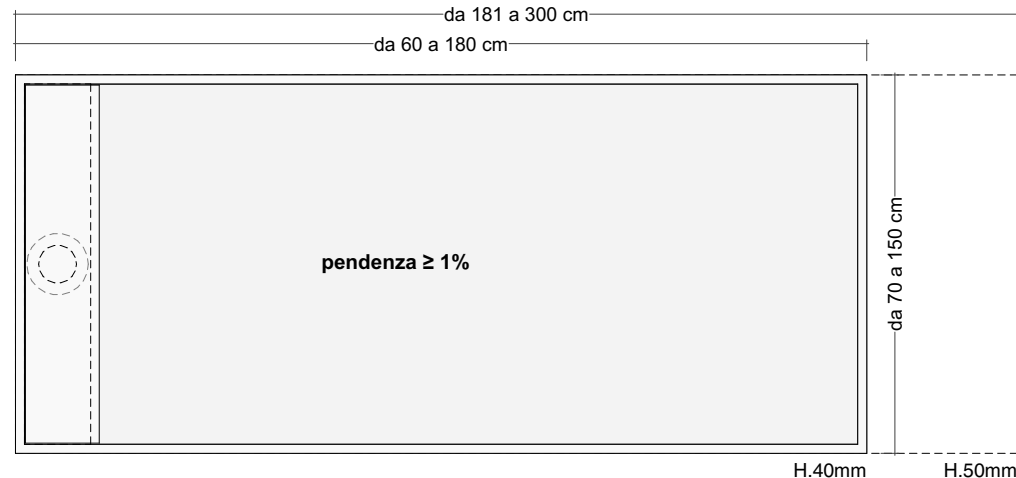
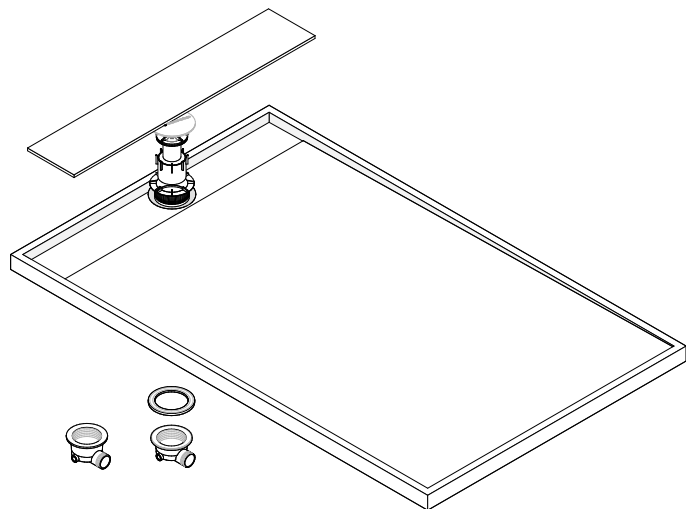
X: max 300 cm

Y: max 150 cm

## NOTE IDRAULICHE / hydraulic notes

PILETTA / waste H.6 CM - 24 l/m

PILETTA / waste H.8 CM - 31 l/m



- **piatto doccia in CORIAN strutturato con supporto in EPS**

Shower tray in Corian with EPS layer

- **su misura al centimetro / max 300x150 cm**

made to measure in centimetre steps / max 300x150 cm

- **in appoggio o filo-pavimento**

floor standing or floor-flush

- **piletta h. 80 mm da 31 lt/min**

waste h. 80 mm flow rate 31 lt/min

- **piletta ribassata h. 60 mm da 24 lt/min**

lowered waste h. 60 mm flow rate 24 lt/min